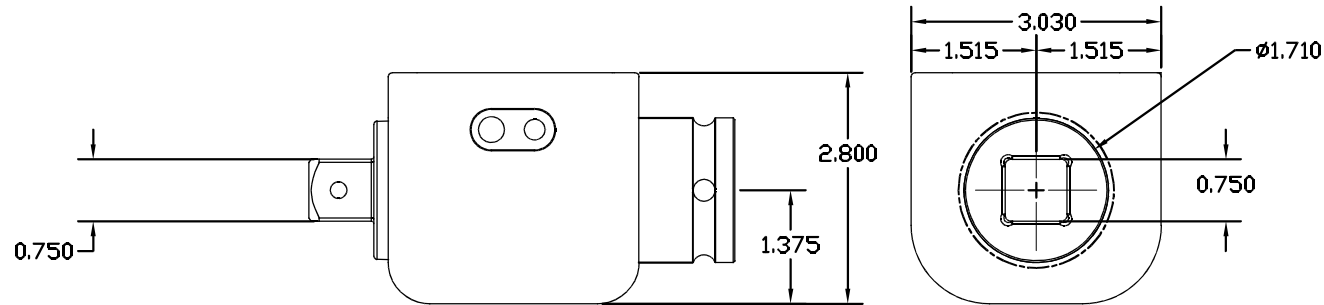
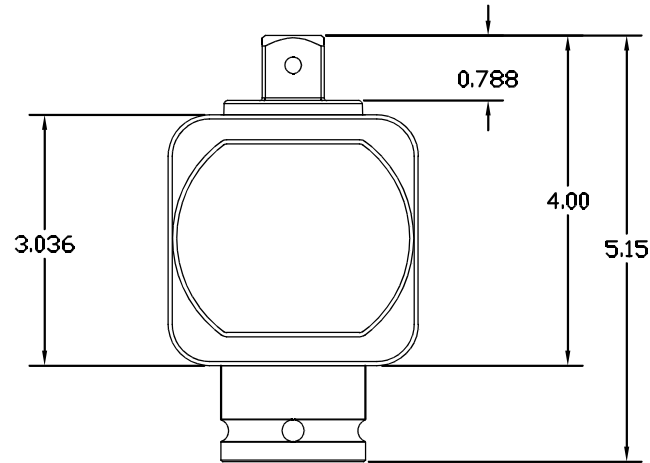
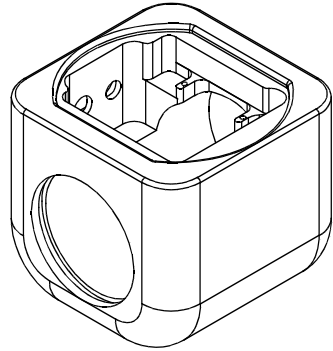
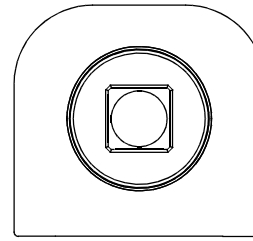


(Inches)



This drawing and the information contained within is the property of Advanced Witness Series, Inc., and may not be used or reproduced without express written consent.

<b>REV:</b> 9-20-12 update groove		<b>TITLE:</b> ILTT-750 Assembly	
<b>REVIEWED:</b>		<b>DRAWING NO.:</b>	
<b>ASSY:</b> ICF-1000	<b>CAPACITY:</b> 750 lb. ft.	<b>DATE:</b> 1-14-2010	<b>SAVED AS:</b> ..\Inline QC transducer housing\1K inline assy cv.dwg
<b>TOL:</b> None specified; contact AWS for Info.		<b>MATERIAL:</b> various	<b>FINISH:</b> various